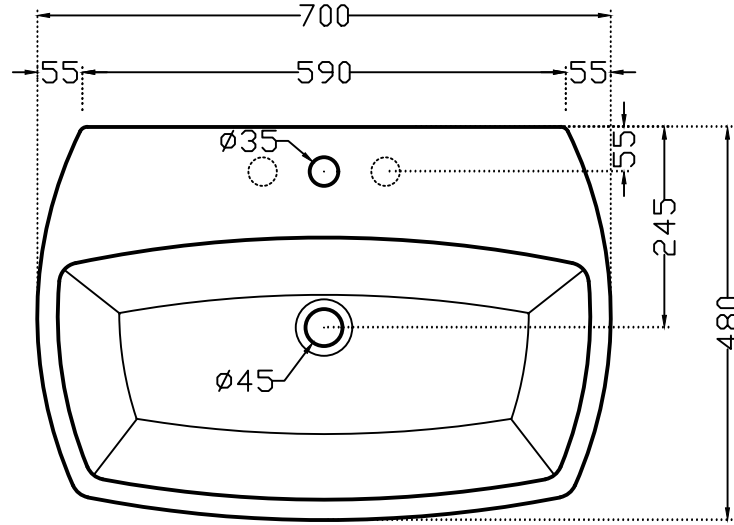
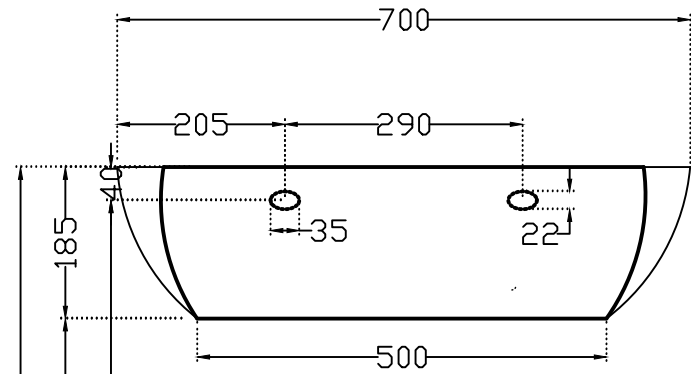


Artize

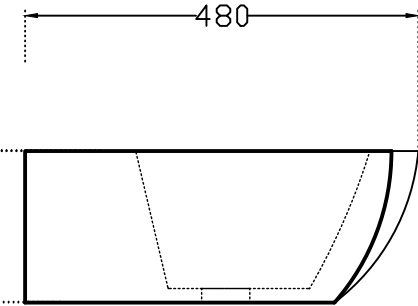
XQS-WHT-43801



TOP VIEW



BACK VIEW



SIDE VIEW

FL.LVL

FL.LVL

ALL DIMENSIONS ARE IN MM.
(TOLERANCE ± 5 MM)