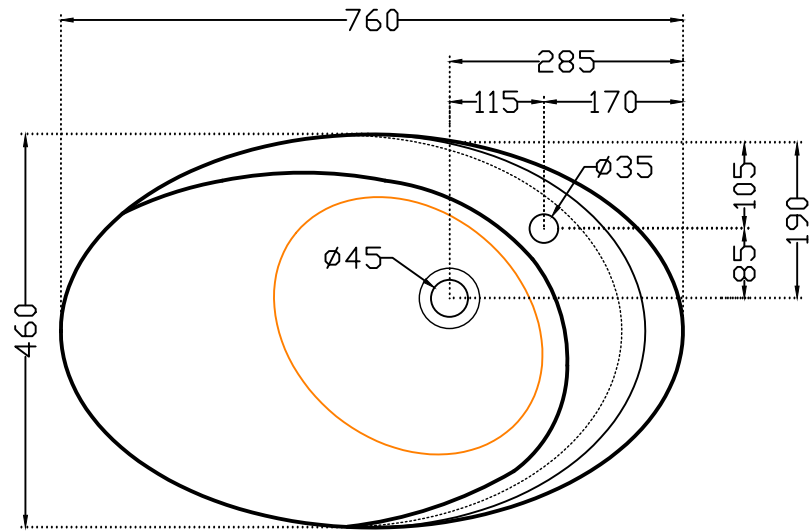
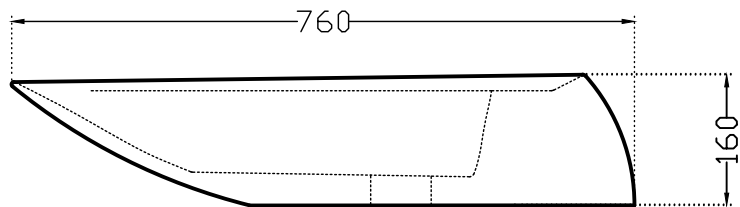


**Artize**

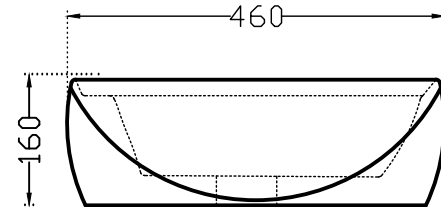
TRS-WHT-57931



TOP VIEW



FRONT VIEW



SIDE VIEW

ALL DIMENSIONS ARE IN MM.  
(TOLERANCE  $\pm 5$  MM)