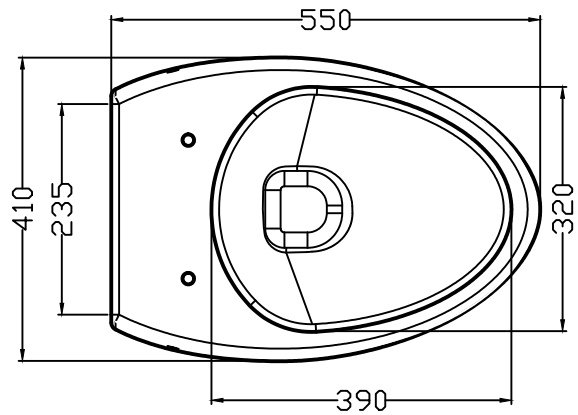
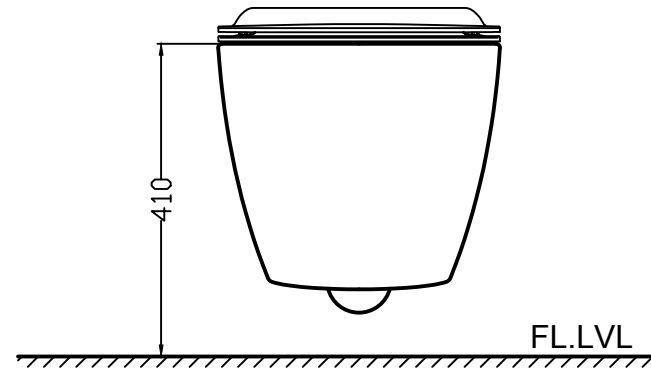


Artize

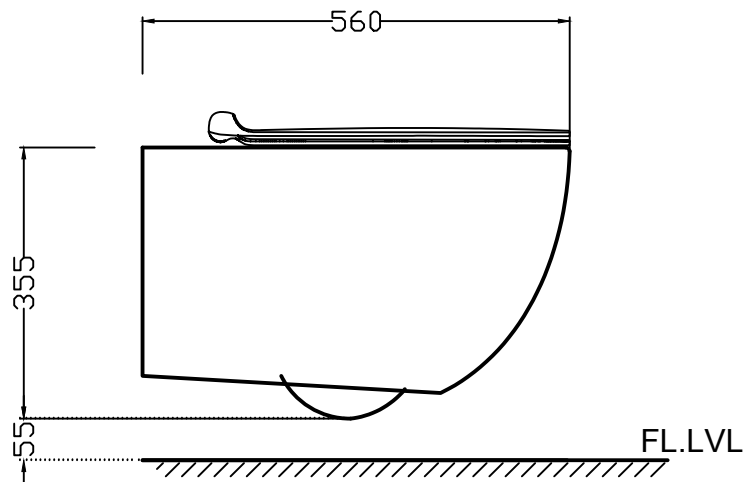
KAS-WHT-49951



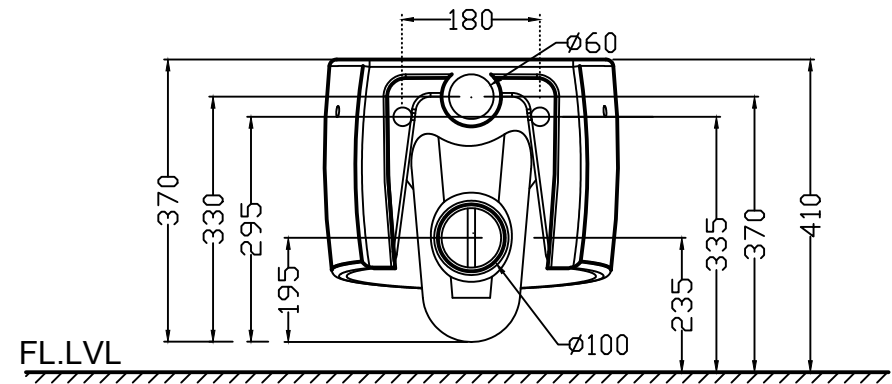
TOP VIEW



FRONT VIEW



BACK VIEW



SIDE VIEW

ALL DIMENSIONS ARE IN MM.
(TOLERANCE ± 5 MM)