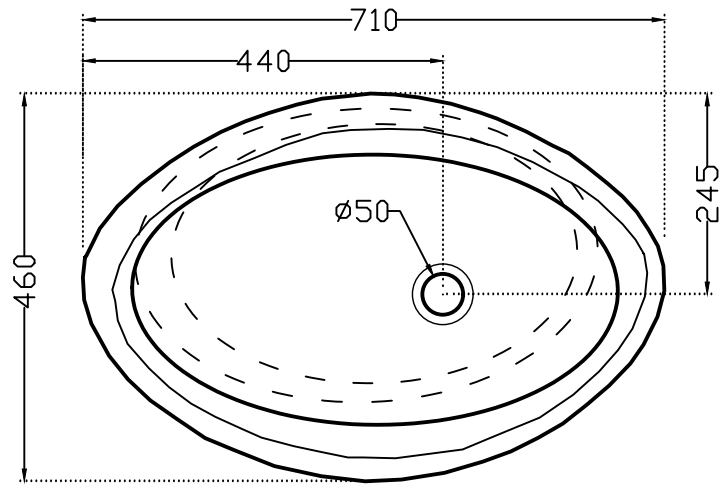
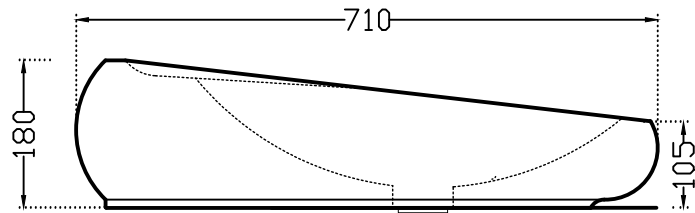


**Artize**

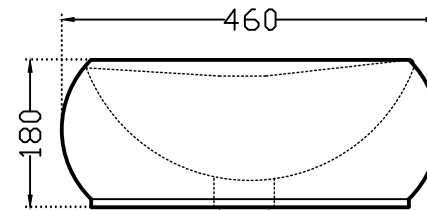
KAS-WHT-49901



TOP VIEW



FRONT VIEW



SIDE VIEW

ALL DIMENSIONS ARE IN MM.  
(TOLERANCE  $\pm 5$  MM)