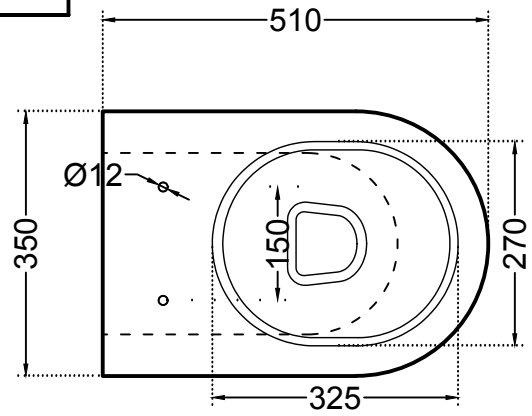
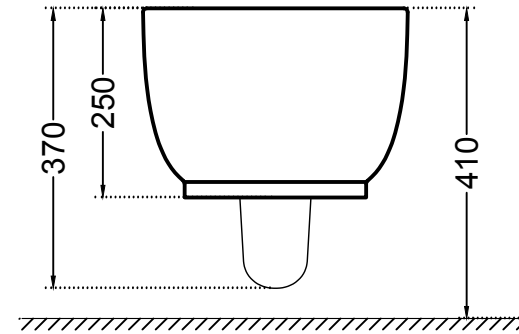


Artize

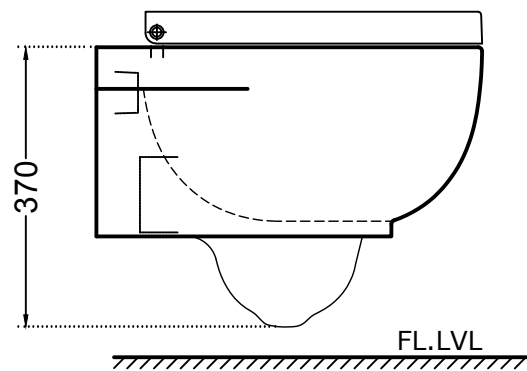
CLS-WHT-47951



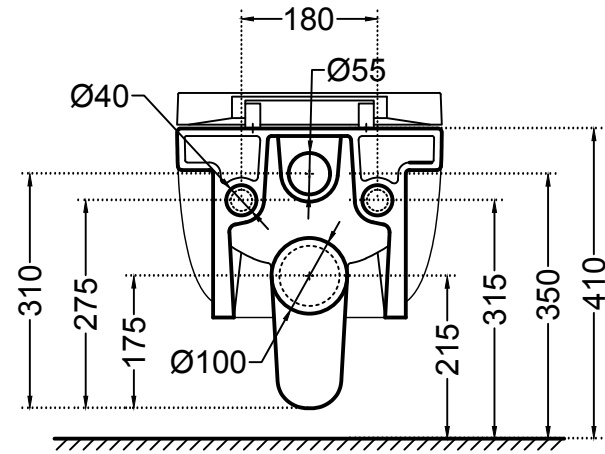
TOP VIEW



FRONT VIEW



SIDE VIEW



BACK VIEW

ALL DIMENSIONS ARE IN MM.
(TOLERANCE ± 5 MM)