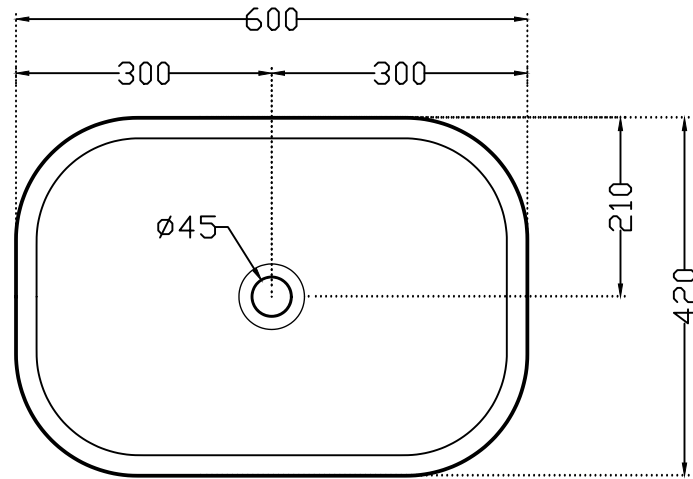
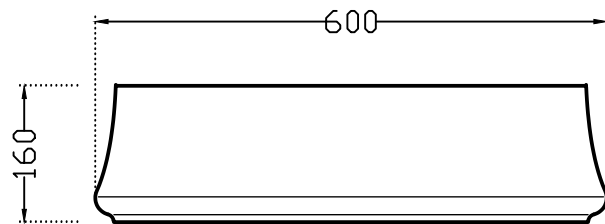


**Artize**

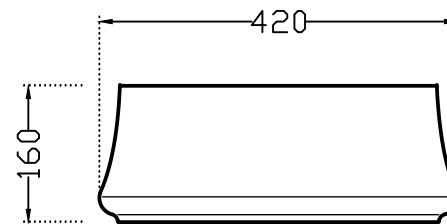
ADS-WHT-64907



TOP VIEW



FRONT VIEW



SIDE VIEW

ALL DIMENSIONS ARE IN MM.  
(TOLERANCE  $\pm 5$  MM)