

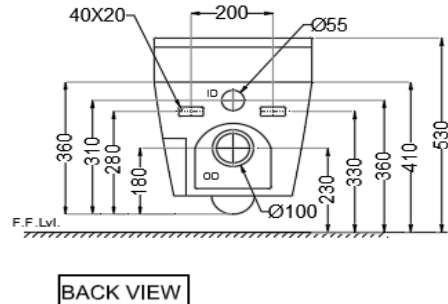
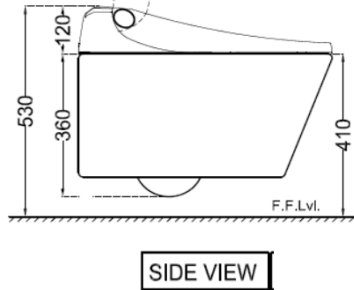
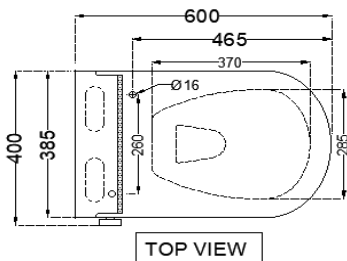
PRODUCT DETAILS

Manufacturer :	Artize	Type:	Intelligent Toilet - Wall Hung WC
Range	Intelligent Artize	Flush valves	3/ 6 LPF
Colour:	White	Material:	White PP + Ceramic Bowl
Outlet	Vertical	BOM doc.NO.	ASW/09/2019/52
Technical Details:	Internal diameter of inlet hole dia. $\varnothing 55 \pm 3$ mm		
	External diameter of outlet hole dia. $\varnothing 100 \pm 5$ mm		

ARTICLE NAME: WALL HUNG WC



TECHNICAL DIMENSIONS



PRODUCT SPECIFICATION

Rated supply	220v-240v-50-60Hz	Dimension	400x600x480 mm
Rated power	1250W 1300W	Net Weight	36 kg
Water connection cross section	Water pipe supply,G3/8thread	Gross Weight	41 kg
Flushing water capacity	3.0L -6.0L	Packaging Dimension	470X700X550 mm
Outlet Distance Floor Lvl.	230 c/c	Wash Function	
Installation Mode	Wall hung WC	He wash	
Inlet mode	Connect water pipe	She wash	
Flushing mode	concealed cistern	Product Features	
Flushing way	Manual flush/ Auto flush.	Water instant heating feature, Pressure stabilization valve, Thermal fuse, Skin burn protection, Hot air dry control.	
Drainage Type	Wash down	Toilet Seat Heating	
Water pressure range	0.07MPa-0.75Mpa	General heater power	35W
		Safety device	Temperature controller ,NTC and thermal fuse
Black flow prevention	Anti siphon,Backflow prevention	Dry	
Seat cover	PP soft close seat cover	wind speed of blower	$\cong 4$ m/s
		General heater power	200W
		Safety device	Temperature controller ,NTC and thermal fuse

ACCESSORIES PROVIDED

Electronic PP Soft Close Seat Cover	IAS-WHT-79103SPP
Remote controller code	ZAS-WHT-IA15
Seat Installation Fixing screw IAS-WHT-79101SPP	ZPS-WHT-IA23

ACCESSORIES RECOMMENDED

Control plate	ACP-ROG-5012501
Concealed cistern	APC-WHT-5012500FSAF



CERTIFICATION

Compliance : QUALITY MANAGEMENT SYSTEM - ISO 9001



DISCLAIMER: Our every effort has been made to ensure factual accuracy, the information presented subject to changes due to requirements in different sites, markets and/ or countries. All dimensions are in mm (Tolerance ± 5 MM). Jaquar reserves the right to make the necessary amendments at any time without prior notice.

For Installation Refer Actual Product.Last modified on 22 May 2026.