

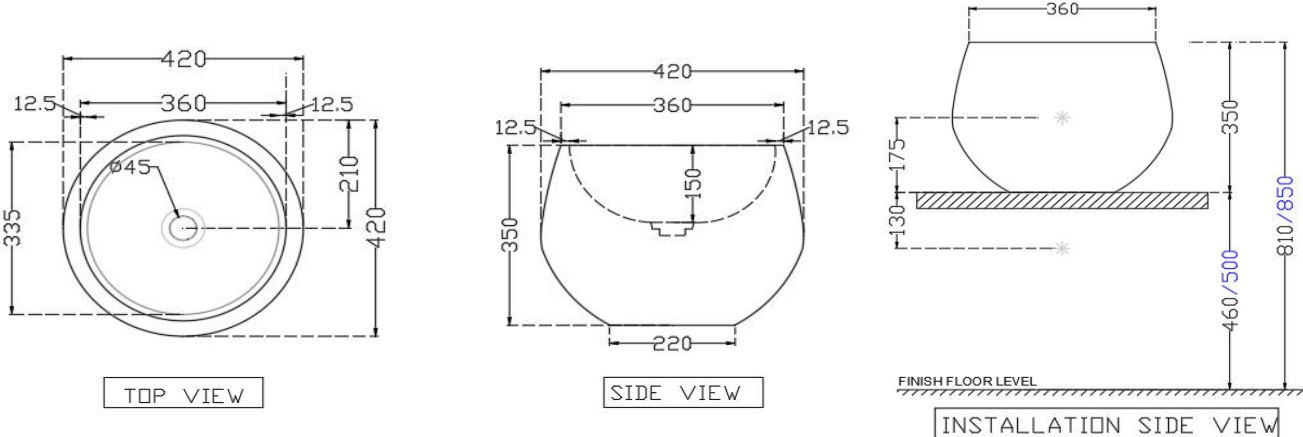



PRODUCT CODE		ADS-MBT-649911		 BATH + LIGHT	
PRODUCT SPECIFICATION DATA SHEET					
BRAND	Artize				
Colour	Crystal Pure White				
Type	Table Top Basin				
Material	Marble Stone -Imported Vietnam White				
Outlet	Vertical				
Technical Details	No Tap hole Internal diameter of outlet hole dia. $\varnothing 45 \pm 3$ mm Horizontal distance between the Bowl edge and the centre line of the waste outlet hole ≤ 210 mm				
TECHNICAL DRAWING					
					
PRODUCT SPECIFICATION					
Product Dimension	420x420x350 mm		<p>Cristal Pure white marble is highly regarded by homeowners and designers for its exceptional whiteness, sparkling and glossy surface, as well as strong structure.</p> <p>The sophisticated and luxurious look that Vietnam white marble possesses is what sets it apart from other natural stones.</p> <p>Each stone surface has its own distinct characteristics. This individuality makes each stone fixture a unique and one in a million.</p> <p>Stone is a natural material; thus its color, veins and shades can vary from one piece to another.</p> <p>Basins are made from single block of marble so no cut & joint in basin.</p> <p>Each basin is hand crafted basin. Every basin is unique in its own pattern and texture.</p>		
Basin Inner Dimension	335x335x150 mm				
Product Net Weight	74 kg.				
Packaging Dimension	580x580x450 mm				
Product Gross Weight	82 kg.				
CLEANING AND MAINTINENCE INSTRUCTION					
Stone is a natural material; thus, its color, veins and shades can vary from one piece to another.			Each stone surface has its own distinct characteristics. This individuality makes each stone fixture a unique and one in a million.		
If staining occurs, only use a light and less intense stain remover specifically formulated for natural stone.			The stone basins are to be cleaned using normal, neutral detergents with low alkaline contents on daily basis		
This Stone wash basin has been treated with AKEMI Nano, a natural-looking and penetrating sealer. Reapplication of AKEMI Nano or a similar sealer twice a year may be required to prevent and protect the finish of your wash basin.			Do not use strong, abrasive, concentrated products, or cleaning agents such as ammonia, bleach, anti-lime, acids, abrasives, degreasers, or alcohol or even those homemade remedies such as lemon and vinegar, as these will impact product finish.		
One of the basic properties of natural stone is that it may change color over a period of time if exposed to direct sunlight.			We strongly recommend not using bristle brushes, scrubbing pads, steel wool, or abrasive cleaners as these are harsh on materials		
Keep chemicals such as bleach, fingernail polish remover, and fingernail polish, oils, Harpic, etc. away from your basin to prevent staining or damage			Stone basins are not resistant to impact		
Residues of toiletries such as liquid soaps, shower gels, shampoos, hair dyes, perfumes, lipstick, aftershave, and nail varnish if not wiped up immediately can also cause damage to the surface of the wash basin. This can allow the acids to react with calcium carbonate in the stone and can create permanent markings.			Application of a stone sealer will help make natural stone surfaces less porous and more resistant to stains. The sealer is stain resistant but not stains proof, hence is recommended to maintain your wash basin for long lasting aesthetic finish, hence a stone sealer can be applied on the surface.		
CERTIFICATION					
QUALITY MANAGEMENT SYSTEM - ISO 9001 					
DISCLAIMER: Our every effort has been made to ensure factual accuracy, the information presented subject to changes due to requirements in different sites, markets and/ or countries. All dimensions are in mm (Tolerance ± 5 MM). Jaquar reserves the right to make the necessary amendments at any time without prior notice.					