

SPECIFICATION DATA SHEET

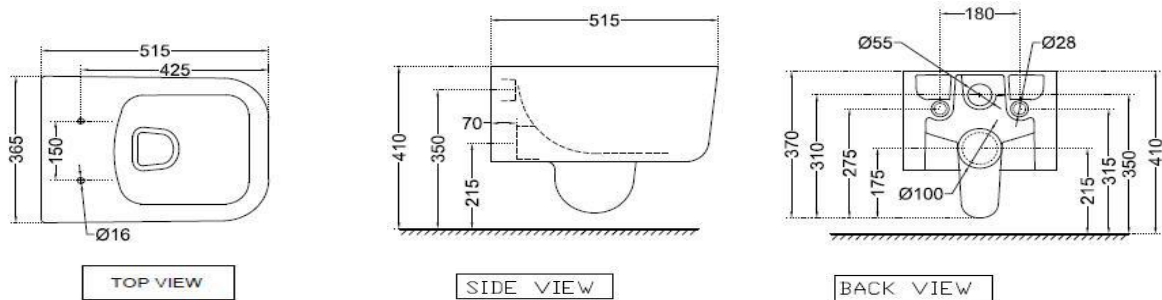
PRODUCT DETAILS

<b>Manufacturer :</b>	Artize	<b>Type:</b>	Wall Hung WC
<b>Colour:</b>	White	<b>Flush valves</b>	Regular, Dual & I Flush advantages
<b>Outlet</b>	Horizontal	<b>Material:</b>	Ceramic - Vitreous China
<b>Technical Details:</b>	Internal diameter of inlet hole dia. $\varnothing 55 \pm 3$ mm External diameter of outlet hole dia. $\varnothing 100 \pm 5$ mm		

PRODUCT IMAGE



TECHNICAL DRAWING



<b>Product Dimension</b>	365x515x370 mm	<b>FEATURES</b>
<b>Product Weight</b>	20.0 kg	Open Rim WC with Blind Installation, Efficient Dual Flushing - 3/6 LPF.

ACCESSORIES INCLUDED

UF soft close seat cover	LBS-WHT-45101
Fixing kit	ZPS-WHT-FB10

ACCESSORIES EXCLUDED

Rack bolt	ZPS-SNS-RB07
Concealed cistern	APC-WHT-5012500FS, APC-WHT-5012500FP

CERTIFICATION

Compliance : EN 997 :2012+A1:2015 / MS 1522:2015.



DISCLAIMER: Our every effort has been made to ensure factual accuracy, the information presented subject to changes due to requirements in different sites, markets and/ or countries. All dimensions are in mm (Tolerance  $\pm 5$  MM). Jaquar reserves the right to make the necessary amendments at any time without prior notice.