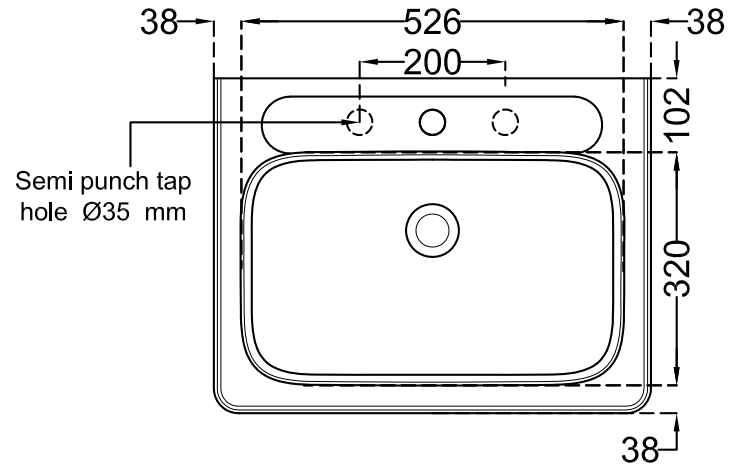
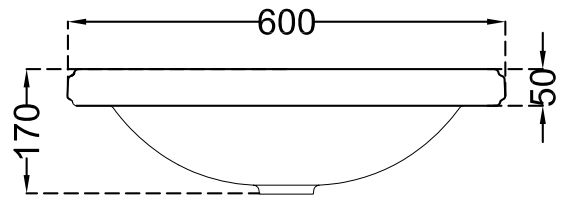


TOP VIEW

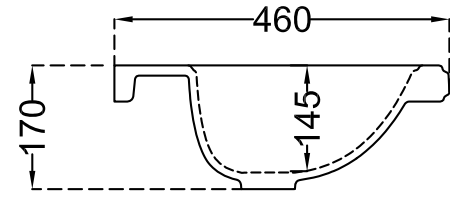


Semi punch tap hole Ø35 mm

BOTTOM VIEW



SIDE VIEW



BACK VIEW

	<b>Jaquar Group</b> Global Headquarters Plot No. 3, Sector- M-11, IMT Manesar Gurgaon, NCR - 122050, India E-mail : Sales: support@jaquar.com Customer Service : service@jaquar.com		ITEM CODE	VCS-WHT-503601W3TH
	ITEM TYPE	COUNTER TOP BASIN WITH EXTRA SEMI PUNCH HOLE		
	ITEM SIZE	600x460x170 mm		
	ALL DIMENSIONS ARE IN MM. (TOLERANCE ± 5 MM)			