

SPECIFICATION DATASHEET

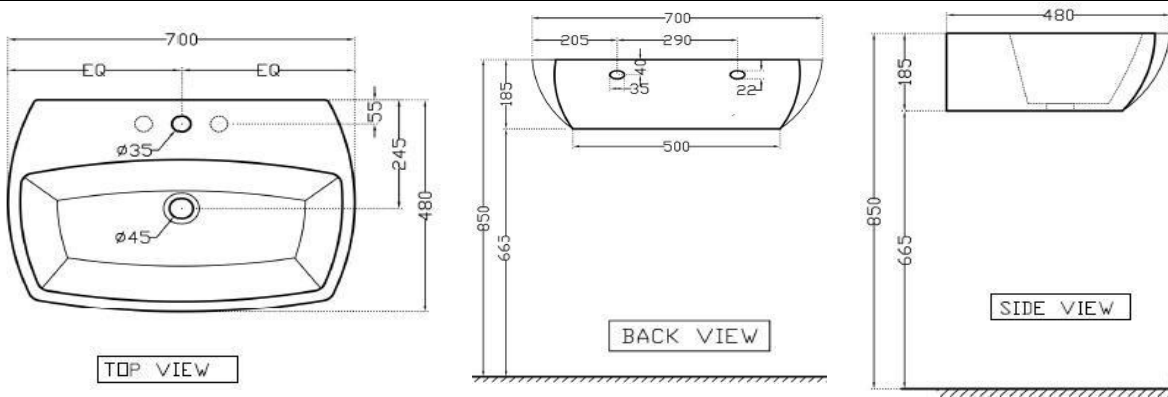
PRODUCT DETAILS

Manufacturer:	Artize	Type:	Wall Hung Basin
Outlet:	Vertical	Colour:	White
Technical Details:	Tap hole dia. $\varnothing 35 \pm 2$ mm extra tap hole Show in dotted line.	Material:	Ceramic - Vitreous China
	ID of waste outlet hole dia. $\varnothing 45 \pm 3$ mm		
Horizontal distance between the centre line of the tap hole and the centre line of the waste outlet hole ≤ 190 mm			

PRODUCT IMAGE



TECHNICAL DRAWING



Product Dimension	700x480x185 mm	FEATURES Basin with Tap Hole and Overflow Hole
Basin Inner Dimension	650x320x165 mm	
Product Weight	20.5 kg.	

ACCESSORIES INCLUDED

Rag bolt	ZPS-SNS-RB08
----------	--------------

CERTIFICATION

Compliance : EN 14688:2015 (E)	CE
---------------------------------------	-----------

DISCLAIMER: Our every effort has been made to ensure factual accuracy, the information presented subject to changes due to requirements in different sites, markets and/ or countries. All dimensions are in mm (Tolerance ± 5 MM). Jaquar reserves the right to make the necessary amendments at any time without prior notice.