

SPECIFICATION DATA SHEET

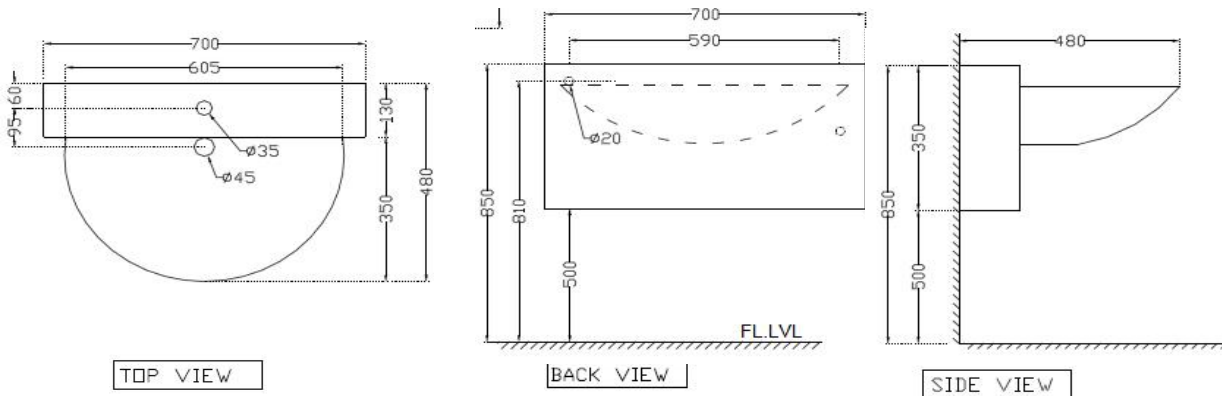
PRODUCT DETAILS

Manufacturer :	Artize	Type:	Wall Hung Basin
Outlet	Vertical	Colour:	White
Technical Details:	Tap hole dia. $\varnothing 35 \pm 2$ mm	Material:	Ceramic - Vitreous China
	ID of waste outlet hole dia. $\varnothing 45 \pm 3$ mm		
	Horizontal distance between the centre line of the tap hole and the centre line of the waste outlet hole ≤ 95 mm		

PRODUCT IMAGE



TECHNICAL DRAWING



Product Dimension	700X480X350 mm	FEATURES Basin with Tap Hole
Basin Inner Dimension	600x345x115 mm	
Product Weight	25.0 kg.	

ACCESSORIES INCLUDED

Rag bolt	ZPS-SNS-RB08
Bottle Trap	ZAS-WHT-FT002

CERTIFICATION

Compliance : EN 14688:2015 (E)



DISCLAIMER: Our every effort has been made to ensure factual accuracy, the information presented subject to changes due to requirements in different sites, markets and/ or countries. All dimensions are in mm (Tolerance ± 5 MM). Jaquar reserves the right to make the necessary amendments at any time without prior notice.